

## R - Redukcja s.



**R** - Redukcja symetryczna chemoodporna wykonana z tworzyw sztucznych

**Wykonanie:**

- redukcja symetryczna
- do montażu na zewnątrz rury
- formowane maszynowo do 315mm
- formowane ręcznie od 355mm do 800mm
- minimalna grubość ścianki 3 mm lub zgodnie z DIN 4741
- zakończenia mufowe (M)
- łączenie przez klejenie/spawanie/skręcanie



## Dane techniczne

**Temperatura stosowania:**

Tr [°C] jak dla materiału

**Temperatura pracy:**

Tmax. [°C] jak dla materiału

**Ciśnienie pracy:**

Pmax. [Pa] jak dla materiału


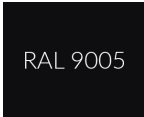
**Kolor:**

jak dla materiału

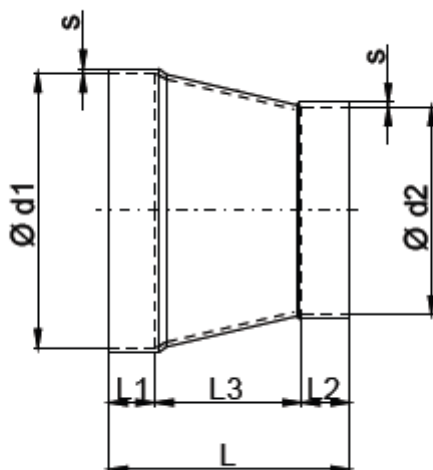
**Wymiarowanie:**

Redukcja R [m] - [d1] - [d2]

*[m] - typ materiału**[d1][d2] - średnice kanału wentylacyjnego w mm***Oznaczenie:**

| Typ             | R1   | R2   | R3   | R4   | R5  | R6  | R9   |
|-----------------|--|--|--|--|---|---|--|
| <b>Materiał</b> | PVC-U  | PPs  | PP   | PE   | PPs-el  | PVDF  | PVC-UV   |
| <b>Kolor</b>    |  RAL 7011 |  RAL 7037 |  RAL 7032 |  RAL 9005 |  RAL 9005 |  NATURAL |  RAL 9016 |
| <b>Nazwa</b>    | polichlorek winyłu   | polipropylen samogasnący   | polipropylen   | polietylen   | polipropylen samogasnący elektroprzewodzący   | polifluorek winylidenu  | polichlorek winyłu   |

## Wymiary



| d1 - d2<br>[mm]  | PVC / PVC-UV |            |            |            |           |           | PP / PPs / PE / PPs-el / PVDF |            |            |            |           |           |
|------------------|--------------|------------|------------|------------|-----------|-----------|-------------------------------|------------|------------|------------|-----------|-----------|
|                  | L<br>[mm]    | L1<br>[mm] | L2<br>[mm] | L3<br>[mm] | s<br>[mm] | m<br>[kg] | L<br>[mm]                     | L1<br>[mm] | L2<br>[mm] | L3<br>[mm] | s<br>[mm] | m<br>[kg] |
| <b>0063-0050</b> | 80           | 25         | 35         | 20         | 3,0       | 0,1       | 83                            | 35         | 35         | 23         | 3,0       | 0,1       |
| <b>0075-0050</b> | 115          | 35         | 35         | 45         | 3,0       | 0,1       | 115                           | 35         | 35         | 45         | 3,0       | 0,1       |
| <b>0075-0063</b> | 95           | 35         | 25         | 35         | 3,0       | 0,1       | 95                            | 35         | 35         | 35         | 3,0       | 0,1       |
| <b>0090-0050</b> | 145          | 35         | 35         | 75         | 3,0       | 0,1       | 195                           | 35         | 35         | 75         | 3,0       | 0,1       |
| <b>0090-0063</b> | 125          | 35         | 25         | 65         | 3,0       | 0,1       | 125                           | 35         | 35         | 65         | 3,0       | 0,1       |
| <b>0090-0075</b> | 110          | 35         | 25         | 40         | 3,0       | 0,1       | 110                           | 35         | 35         | 40         | 3,0       | 0,1       |
| <b>0110-0050</b> | 175          | 40         | 35         | 100        | 3,0       | 0,2       | 170                           | 40         | 35         | 95         | 3,0       | 0,1       |
| <b>0110-0063</b> | 165          | 40         | 25         | 100        | 3,0       | 0,2       | 165                           | 40         | 35         | 100        | 3,0       | 0,1       |
| <b>0110-0075</b> | 170          | 40         | 35         | 95         | 3,0       | 0,2       | 170                           | 40         | 35         | 95         | 3,0       | 0,2       |
| <b>0110-0090</b> | 120          | 35         | 35         | 50         | 3,0       | 0,2       | 125                           | 40         | 35         | 50         | 3,0       | 0,2       |
| <b>0125-0050</b> | 215          | 40         | 35         | 140        | 3,0       | 0,2       | 215                           | 40         | 35         | 140        | 3,0       | 0,2       |
| <b>0125-0063</b> | 195          | 40         | 25         | 130        | 3,0       | 0,3       | 195                           | 40         | 35         | 130        | 3,0       | 0,2       |
| <b>0125-0075</b> | 195          | 40         | 35         | 110        | 3,0       | 0,3       | 185                           | 40         | 35         | 110        | 3,0       | 0,2       |
| <b>0125-0090</b> | 155          | 40         | 35         | 80         | 3,0       | 0,2       | 155                           | 40         | 35         | 80         | 3,0       | 0,2       |
| <b>0125-0110</b> | 115          | 40         | 35         | 40         | 3,0       | 0,2       | 115                           | 40         | 40         | 40         | 3,0       | 0,1       |
| <b>0140-0050</b> | 240          | 40         | 35         | 165        | 3,0       | 0,2       | 240                           | 40         | 35         | 165        | 3,0       | 0,2       |
| <b>0140-0063</b> | 225          | 40         | 25         | 160        | 3,0       | 0,3       | 235                           | 40         | 35         | 160        | 3,0       | 0,2       |

| d1 - d2<br>[mm]  | PVC / PVC-UV |    |    |     |     |     | PP / PPs / PE / PPs-el / PVDF |    |    |     |     |     |
|------------------|--------------|----|----|-----|-----|-----|-------------------------------|----|----|-----|-----|-----|
| <b>0140-0075</b> | 210          | 40 | 35 | 135 | 3,0 | 0,3 | 210                           | 40 | 35 | 135 | 3,0 | 0,2 |
| <b>0140-0090</b> | 185          | 40 | 35 | 185 | 3,0 | 0,3 | 185                           | 40 | 35 | 110 | 3,0 | 0,2 |
| <b>0140-0110</b> | 150          | 40 | 40 | 150 | 3,0 | 0,3 | 150                           | 40 | 40 | 70  | 3,0 | 0,2 |
| <b>0140-0125</b> | 120          | 40 | 40 | 40  | 3,0 | 0,2 | 120                           | 40 | 40 | 40  | 3,0 | 0,2 |
| <b>0160-0050</b> | 275          | 40 | 35 | 200 | 3,0 | 0,3 | 275                           | 40 | 35 | 200 | 3,5 | 0,3 |
| <b>0160-0063</b> | 260          | 40 | 25 | 195 | 3,0 | 0,4 | 260                           | 40 | 35 | 195 | 3,5 | 0,3 |
| <b>0160-0075</b> | 250          | 40 | 35 | 175 | 3,0 | 0,4 | 250                           | 40 | 35 | 170 | 3,5 | 0,3 |
| <b>0160-0090</b> | 220          | 40 | 35 | 145 | 3,0 | 0,4 | 220                           | 40 | 35 | 145 | 3,5 | 0,3 |
| <b>0160-0110</b> | 190          | 40 | 35 | 115 | 3,0 | 0,3 | 185                           | 40 | 35 | 110 | 3,5 | 0,3 |
| <b>0160-0125</b> | 145          | 40 | 40 | 65  | 3,0 | 0,3 | 160                           | 40 | 40 | 80  | 3,5 | 0,2 |
| <b>0160-0140</b> | 130          | 40 | 40 | 50  | 3,0 | 0,3 | 130                           | 40 | 40 | 50  | 3,5 | 0,2 |
| <b>0180-0050</b> | 330          | 50 | 35 | 245 | 3,0 | 0,5 | 330                           | 50 | 35 | 245 | 3,5 | 0,4 |
| <b>0180-0063</b> | 310          | 50 | 25 | 235 | 3,0 | 0,5 | 310                           | 50 | 35 | 230 | 3,5 | 0,4 |
| <b>0180-0075</b> | 295          | 50 | 35 | 210 | 3,0 | 0,5 | 295                           | 50 | 35 | 210 | 3,5 | 0,4 |
| <b>0180-0090</b> | 270          | 50 | 35 | 180 | 3,0 | 0,5 | 270                           | 50 | 35 | 180 | 3,5 | 0,3 |
| <b>0180-0110</b> | 235          | 50 | 40 | 145 | 3,0 | 0,5 | 235                           | 50 | 40 | 145 | 3,5 | 0,3 |
| <b>0180-0125</b> | 210          | 50 | 40 | 115 | 3,0 | 0,4 | 210                           | 50 | 40 | 115 | 3,5 | 0,3 |
| <b>0180-0140</b> | 180          | 50 | 40 | 90  | 3,0 | 0,4 | 180                           | 50 | 40 | 90  | 3,5 | 0,3 |
| <b>0180-0160</b> | 150          | 50 | 50 | 50  | 3,0 | 0,4 | 140                           | 50 | 40 | 50  | 3,5 | 0,2 |
| <b>0200-0050</b> | 380          | 50 | 35 | 295 | 3,0 | 0,7 | 380                           | 50 | 35 | 295 | 3,0 | 0,4 |
| <b>0200-0063</b> | 345          | 50 | 25 | 270 | 3,0 | 0,6 | 345                           | 50 | 25 | 270 | 3,0 | 0,4 |
| <b>0200-0075</b> | 335          | 50 | 35 | 250 | 3,0 | 0,6 | 330                           | 50 | 35 | 250 | 3,0 | 0,4 |
| <b>0200-0090</b> | 305          | 50 | 35 | 220 | 3,0 | 0,6 | 305                           | 50 | 35 | 220 | 3,0 | 0,4 |
| <b>0200-0110</b> | 300          | 50 | 40 | 210 | 3,0 | 0,5 | 300                           | 50 | 40 | 210 | 3,0 | 0,4 |
| <b>0200-0125</b> | 245          | 50 | 40 | 155 | 3,0 | 0,5 | 245                           | 50 | 40 | 155 | 3,0 | 0,4 |
| <b>0200-0140</b> | 215          | 50 | 40 | 125 | 3,0 | 0,5 | 215                           | 50 | 40 | 125 | 3,0 | 0,3 |
| <b>0200-0160</b> | 195          | 50 | 50 | 95  | 3,0 | 0,4 | 195                           | 50 | 50 | 95  | 3,0 | 0,4 |
| <b>0200-0180</b> | 150          | 50 | 50 | 50  | 3,0 | 0,4 | 155                           | 50 | 50 | 50  | 3,0 | 0,3 |
| <b>0225-0050</b> | 425          | 50 | 35 | 340 | 3,0 | 0,8 | 425                           | 50 | 35 | 340 | 3,0 | 0,6 |
| <b>0225-0063</b> | 390          | 50 | 25 | 215 | 3,0 | 0,8 | 390                           | 50 | 25 | 315 | 3,0 | 0,5 |
| <b>0225-0075</b> | 380          | 50 | 35 | 295 | 3,0 | 0,8 | 380                           | 50 | 35 | 295 | 3,0 | 0,5 |
| <b>0225-0090</b> | 350          | 50 | 35 | 265 | 3,0 | 0,8 | 350                           | 50 | 35 | 265 | 3,0 | 0,5 |
| <b>0225-0110</b> | 320          | 50 | 40 | 230 | 3,0 | 0,7 | 320                           | 50 | 40 | 230 | 3,0 | 0,5 |

| d1 - d2<br>[mm]  | PVC / PVC-UV |    |    |     |     |     | PP / PPs / PE / PPs-el / PVDF |    |    |     |     |     |
|------------------|--------------|----|----|-----|-----|-----|-------------------------------|----|----|-----|-----|-----|
| <b>0225-0125</b> | 290          | 50 | 40 | 200 | 3,0 | 0,7 | 290                           | 50 | 40 | 200 | 3,0 | 0,5 |
| <b>0225-0140</b> | 260          | 50 | 40 | 170 | 3,0 | 0,7 | 260                           | 50 | 40 | 170 | 3,0 | 0,4 |
| <b>0225-0160</b> | 225          | 50 | 40 | 135 | 3,0 | 0,6 | 225                           | 50 | 40 | 135 | 3,0 | 0,4 |
| <b>0225-0180</b> | 200          | 50 | 50 | 100 | 3,0 | 0,6 | 200                           | 50 | 50 | 100 | 3,0 | 0,4 |
| <b>0225-0200</b> | 160          | 50 | 25 | 60  | 3,0 | 0,5 | 160                           | 50 | 50 | 60  | 3,0 | 0,3 |
| <b>0250-0050</b> | 475          | 50 | 35 | 385 | 3,0 | 1,0 | 475                           | 50 | 35 | 390 | 3,0 | 0,8 |
| <b>0250-0063</b> | 440          | 50 | 25 | 365 | 3,0 | 1,0 | 440                           | 50 | 25 | 365 | 3,5 | 0,8 |
| <b>0250-0075</b> | 425          | 50 | 35 | 340 | 3,0 | 1,0 | 425                           | 50 | 35 | 340 | 3,5 | 0,8 |
| <b>0250-0090</b> | 400          | 50 | 35 | 315 | 3,0 | 0,9 | 400                           | 50 | 35 | 315 | 3,5 | 0,7 |
| <b>0250-0110</b> | 365          | 50 | 40 | 275 | 3,0 | 0,9 | 365                           | 50 | 40 | 275 | 3,5 | 0,7 |
| <b>0250-0125</b> | 350          | 50 | 40 | 250 | 3,0 | 0,9 | 335                           | 50 | 40 | 250 | 3,5 | 0,7 |
| <b>0250-0140</b> | 310          | 50 | 40 | 220 | 3,0 | 0,8 | 310                           | 50 | 40 | 220 | 3,5 | 0,7 |
| <b>0250-0160</b> | 285          | 50 | 40 | 195 | 3,0 | 0,7 | 285                           | 50 | 40 | 195 | 3,5 | 0,6 |
| <b>0250-0180</b> | 245          | 50 | 40 | 145 | 3,0 | 0,7 | 255                           | 50 | 50 | 145 | 3,5 | 0,6 |
| <b>0250-0200</b> | 200          | 50 | 50 | 115 | 3,0 | 0,6 | 215                           | 50 | 50 | 115 | 3,5 | 0,6 |
| <b>0250-0225</b> | 160          | 50 | 50 | 60  | 3,0 | 0,5 | 165                           | 50 | 50 | 65  | 3,5 | 0,4 |
| <b>0280-0110</b> | 420          | 50 | 40 | 330 | 3,0 | 1,1 | 425                           | 50 | 40 | 335 | 3,5 | 0,9 |
| <b>0280-0125</b> | 395          | 50 | 40 | 305 | 3,0 | 1,1 | 395                           | 50 | 40 | 305 | 3,5 | 0,9 |
| <b>0280-0140</b> | 365          | 50 | 40 | 275 | 3,0 | 1,1 | 365                           | 50 | 40 | 275 | 3,5 | 0,8 |
| <b>0280-0160</b> | 340          | 50 | 50 | 240 | 3,0 | 1,0 | 340                           | 50 | 50 | 240 | 3,5 | 0,8 |
| <b>0280-0180</b> | 300          | 50 | 50 | 200 | 3,0 | 1,0 | 305                           | 50 | 50 | 205 | 3,5 | 0,8 |
| <b>0280-0200</b> | 265          | 50 | 50 | 165 | 3,0 | 0,9 | 265                           | 50 | 50 | 165 | 3,5 | 0,7 |
| <b>0280-0225</b> | 220          | 50 | 50 | 120 | 4,0 | 1,0 | 220                           | 50 | 50 | 205 | 3,5 | 0,8 |
| <b>0280-0250</b> | 175          | 50 | 50 | 75  | 4,0 | 0,8 | 170                           | 50 | 50 | 165 | 3,5 | 0,7 |
| <b>0315-0110</b> | 470          | 50 | 40 | 380 | 3,0 | 0,1 | 470                           | 50 | 40 | 380 | 4,0 | 1,0 |
| <b>0315-0125</b> | 460          | 50 | 40 | 370 | 3,0 | 1,4 | 460                           | 50 | 40 | 370 | 4,0 | 1,3 |
| <b>0315-0140</b> | 430          | 50 | 40 | 340 | 3,0 | 1,4 | 435                           | 50 | 40 | 345 | 4,0 | 1,2 |
| <b>0315-0160</b> | 405          | 50 | 40 | 315 | 3,0 | 1,3 | 395                           | 50 | 40 | 305 | 4,0 | 1,2 |
| <b>0315-0180</b> | 355          | 50 | 40 | 265 | 3,0 | 1,2 | 360                           | 50 | 40 | 270 | 4,0 | 1,1 |
| <b>0315-0200</b> | 330          | 50 | 40 | 230 | 3,0 | 1,2 | 335                           | 50 | 50 | 235 | 4,0 | 1,1 |
| <b>0315-0225</b> | 285          | 50 | 50 | 185 | 3,0 | 1,0 | 285                           | 50 | 50 | 195 | 4,5 | 1,1 |
| <b>0315-0250</b> | 240          | 50 | 50 | 140 | 4,0 | 1,3 | 240                           | 50 | 50 | 140 | 4,5 | 0,9 |
| <b>0315-0280</b> | 195          | 50 | 50 | 85  | 4,0 | 1,2 | 185                           | 50 | 50 | 85  | 4,5 | 0,8 |

| d1 - d2<br>[mm]  | PVC / PVC-UV |    |    |     |     |     | PP / PPs / PE / PPs-el / PVDF |    |    |     |     |     |
|------------------|--------------|----|----|-----|-----|-----|-------------------------------|----|----|-----|-----|-----|
|                  |              |    |    |     |     |     |                               |    |    |     |     |     |
| <b>0355-0160</b> | 480          | 50 | 50 | 380 | 4,0 | 2,3 | 485                           | 50 | 50 | 385 | 5,0 | 1,9 |
| <b>0355-0180</b> | 445          | 50 | 50 | 345 | 4,0 | 2,2 | 445                           | 50 | 50 | 245 | 5,0 | 1,8 |
| <b>0355-0200</b> | 405          | 50 | 50 | 305 | 3,0 | 1,5 | 410                           | 50 | 50 | 310 | 5,0 | 1,7 |
| <b>0355-0225</b> | 355          | 50 | 50 | 255 | 3,0 | 1,4 | 360                           | 50 | 50 | 260 | 5,0 | 1,6 |
| <b>0355-0250</b> | 315          | 50 | 50 | 215 | 4,0 | 1,7 | 315                           | 50 | 50 | 215 | 4,5 | 1,3 |
| <b>0355-0280</b> | 255          | 50 | 50 | 155 | 4,0 | 1,5 | 260                           | 50 | 50 | 160 | 5,0 | 1,3 |
| <b>0355-0315</b> | 200          | 60 | 50 | 90  | 4,0 | 1,2 | 205                           | 60 | 50 | 95  | 5,0 | 1,0 |
| <b>0400-0160</b> | 575          | 60 | 50 | 465 | 4,0 | 3,0 | 580                           | 60 | 50 | 470 | 5,0 | 2,5 |
| <b>0400-0180</b> | 540          | 60 | 50 | 430 | 4,0 | 2,8 | 240                           | 60 | 50 | 430 | 5,0 | 2,4 |
| <b>0400-0200</b> | 500          | 60 | 50 | 390 | 4,0 | 2,7 | 500                           | 60 | 50 | 390 | 5,0 | 2,3 |
| <b>0400-0225</b> | 455          | 60 | 50 | 345 | 4,0 | 2,6 | 455                           | 60 | 50 | 345 | 5,0 | 2,2 |
| <b>0400-0250</b> | 405          | 60 | 50 | 295 | 4,0 | 2,4 | 410                           | 60 | 50 | 300 | 5,0 | 2,1 |
| <b>0400-0280</b> | 350          | 60 | 50 | 240 | 4,0 | 2,2 | 355                           | 60 | 50 | 245 | 5,0 | 1,9 |
| <b>0400-0315</b> | 285          | 60 | 50 | 175 | 4,0 | 1,9 | 290                           | 60 | 50 | 180 | 5,0 | 1,6 |
| <b>0400-0355</b> | 210          | 60 | 50 | 100 | 4,0 | 1,5 | 215                           | 60 | 50 | 105 | 5,0 | 1,3 |
| <b>0450-0200</b> | 595          | 60 | 50 | 485 | 4,0 | 3,6 | 600                           | 60 | 50 | 490 | 6,0 | 3,6 |
| <b>0450-0225</b> | 545          | 60 | 50 | 435 | 4,0 | 3,4 | 550                           | 60 | 50 | 440 | 6,0 | 3,4 |
| <b>0450-0250</b> | 500          | 60 | 50 | 390 | 4,0 | 3,2 | 505                           | 60 | 50 | 395 | 6,0 | 3,3 |
| <b>0450-0280</b> | 445          | 60 | 50 | 335 | 4,0 | 3,0 | 450                           | 60 | 50 | 340 | 6,0 | 3,0 |
| <b>0450-0315</b> | 380          | 60 | 50 | 370 | 4,0 | 2,7 | 385                           | 60 | 50 | 275 | 6,0 | 2,7 |
| <b>0450-0355</b> | 305          | 60 | 50 | 195 | 4,0 | 2,3 | 310                           | 60 | 50 | 200 | 6,0 | 2,3 |
| <b>0450-0400</b> | 230          | 60 | 60 | 110 | 4,0 | 1,8 | 235                           | 60 | 60 | 115 | 6,0 | 1,9 |
| <b>0500-0200</b> | 675          | 50 | 50 | 575 | 4,0 | 4,3 | 680                           | 50 | 50 | 580 | 6,0 | 4,4 |
| <b>0500-0225</b> | 630          | 50 | 50 | 530 | 4,0 | 4,2 | 635                           | 50 | 50 | 535 | 6,0 | 4,2 |
| <b>0500-0250</b> | 600          | 70 | 50 | 480 | 4,0 | 4,2 | 610                           | 70 | 50 | 490 | 6,0 | 4,2 |
| <b>0500-0280</b> | 545          | 70 | 50 | 425 | 4,0 | 4,0 | 555                           | 70 | 50 | 435 | 6,0 | 4,0 |
| <b>0500-0315</b> | 490          | 65 | 65 | 360 | 4,0 | 3,7 | 500                           | 65 | 65 | 370 | 6,0 | 3,7 |
| <b>0500-0355</b> | 405          | 65 | 50 | 290 | 5,0 | 4,0 | 410                           | 65 | 50 | 295 | 6,0 | 3,2 |
| <b>0500-0400</b> | 330          | 70 | 55 | 205 | 5,0 | 3,5 | 335                           | 70 | 55 | 210 | 6,0 | 2,8 |
| <b>0500-0450</b> | 245          | 70 | 60 | 115 | 5,0 | 2,7 | 245                           | 70 | 60 | 115 | 6,0 | 2,2 |
| <b>0560-0250</b> | -            | -  | -  | -   | -   | -   | 720                           | 70 | 50 | 600 | 6,0 | 5,4 |
| <b>0560-0280</b> | -            | -  | -  | -   | -   | -   | 665                           | 70 | 50 | 545 | 6,0 | 5,2 |
| <b>0560-0315</b> | -            | -  | -  | -   | -   | -   | 600                           | 70 | 50 | 480 | 6,0 | 4,8 |

| d1 - d2<br>[mm]  | PVC / PVC-UV |    |    |     |     |      | PP / PPs / PE / PPs-el / PVDF |     |    |     |     |      |
|------------------|--------------|----|----|-----|-----|------|-------------------------------|-----|----|-----|-----|------|
| <b>0560-0355</b> | -            | -  | -  | -   | -   | -    | 525                           | 70  | 50 | 405 | 6,0 | 4,4  |
| <b>0560-0400</b> | -            | -  | -  | -   | -   | -    | 465                           | 90  | 55 | 320 | 6,0 | 4,2  |
| <b>0560-0450</b> | -            | -  | -  | -   | -   | -    | 380                           | 90  | 60 | 230 | 6,0 | 3,6  |
| <b>0560-0500</b> | -            | -  | -  | -   | -   | -    | 285                           | 90  | 60 | 135 | 6,0 | 2,8  |
| <b>0600-0280</b> | 735          | 70 | 50 | 615 | 5,0 | 7,5  | -                             | -   | -  | -   | -   | -    |
| <b>0600-0315</b> | 670          | 70 | 50 | 550 | 5,0 | 7,1  | -                             | -   | -  | -   | -   | -    |
| <b>0600-0355</b> | 600          | 70 | 50 | 480 | 6,0 | 8,0  | -                             | -   | -  | -   | -   | -    |
| <b>0600-0400</b> | 520          | 70 | 60 | 395 | 5,0 | 6,0  | -                             | -   | -  | -   | -   | -    |
| <b>0600-0450</b> | 435          | 70 | 60 | 305 | 6,0 | 6,3  | -                             | -   | -  | -   | -   | -    |
| <b>0600-0500</b> | 340          | 70 | 60 | 210 | 6,0 | 5,1  | -                             | -   | -  | -   | -   | -    |
| <b>0600-0560</b> | -            | -  | -  | -   | -   | -    | -                             | -   | -  | -   | -   | -    |
| <b>0630-0280</b> | -            | -  | -  | -   | -   | -    | 795                           | 70  | 50 | 675 | 6,0 | 6,7  |
| <b>0630-0315</b> | -            | -  | -  | -   | -   | -    | 730                           | 70  | 50 | 610 | 6,0 | 6,4  |
| <b>0630-0355</b> | -            | -  | -  | -   | -   | -    | 655                           | 70  | 50 | 535 | 6,0 | 6,0  |
| <b>0630-0400</b> | -            | -  | -  | -   | -   | -    | 605                           | 100 | 55 | 450 | 6,0 | 5,8  |
| <b>0630-0450</b> | -            | -  | -  | -   | -   | -    | 520                           | 100 | 60 | 360 | 6,0 | 5,2  |
| <b>0630-0500</b> | -            | -  | -  | -   | -   | -    | 425                           | 100 | 60 | 265 | 6,0 | 4,5  |
| <b>0630-0560</b> | -            | -  | -  | -   | -   | -    | 325                           | 100 | 70 | 155 | 6,0 | 3,6  |
| <b>0700-0315</b> | 870          | 80 | 50 | 740 | 6,0 | 12,3 | -                             | -   | -  | -   | -   | -    |
| <b>0700-0355</b> | 795          | 80 | 50 | 665 | 6,0 | 11,7 | -                             | -   | -  | -   | -   | -    |
| <b>0700-0400</b> | 720          | 80 | 60 | 580 | 6,0 | 11,0 | -                             | -   | -  | -   | -   | -    |
| <b>0700-0450</b> | 630          | 90 | 60 | 490 | 6,0 | 10,0 | -                             | -   | -  | -   | -   | -    |
| <b>0700-0500</b> | 535          | 90 | 60 | 395 | 6,0 | 8,9  | -                             | -   | -  | -   | -   | -    |
| <b>0700-0560</b> | -            | -  | -  | -   | -   | -    | -                             | -   | -  | -   | -   | -    |
| <b>0700-0600</b> | 360          | 80 | 70 | 210 | 6,0 | 6,5  | -                             | -   | -  | -   | -   | -    |
| <b>0700-0630</b> | -            | -  | -  | -   | -   | -    | -                             | -   | -  | -   | -   | -    |
| <b>0710-0315</b> | -            | -  | -  | -   | -   | -    | 935                           | 120 | 50 | 765 | 8,0 | 12,1 |
| <b>0710-0355</b> | -            | -  | -  | -   | -   | -    | 860                           | 120 | 50 | 690 | 8,0 | 11,5 |
| <b>0710-0400</b> | -            | -  | -  | -   | -   | -    | 785                           | 120 | 60 | 605 | 8,0 | 10,9 |
| <b>0710-0450</b> | -            | -  | -  | -   | -   | -    | 705                           | 120 | 70 | 515 | 8,0 | 10,2 |
| <b>0710-0500</b> | -            | -  | -  | -   | -   | -    | 570                           | 90  | 60 | 420 | 8,0 | 8,6  |
| <b>0710-0560</b> | -            | -  | -  | -   | -   | -    | 490                           | 90  | 90 | 315 | 8,0 | 7,6  |
| <b>0710-0600</b> | -            | -  | -  | -   | -   | -    | -                             | -   | -  | -   | -   | -    |

| d1 - d2<br>[mm]  | PVC / PVC-UV |     |     |     |     |      | PP / PPs / PE / PPs-el / PVDF |     |     |     |      |      |
|------------------|--------------|-----|-----|-----|-----|------|-------------------------------|-----|-----|-----|------|------|
| <b>0710-0630</b> | -            | -   | -   | -   | -   | -    | 360                           | 90  | 90  | 180 | 8,0  | 5,9  |
| <b>0710-0700</b> | -            | -   | -   | -   | -   | -    | -                             | -   | -   | -   | -    | -    |
| <b>0800-0355</b> | 980          | 80  | 50  | 850 | 6,0 | 15,8 | 1030                          | 120 | 50  | 860 | 8,0  | 14,9 |
| <b>0800-0400</b> | 910          | 80  | 60  | 780 | 6,0 | 15,1 | 955                           | 120 | 50  | 775 | 8,0  | 14,3 |
| <b>0800-0450</b> | 815          | 80  | 60  | 675 | 6,0 | 14,1 | 870                           | 120 | 70  | 680 | 8,0  | 13,6 |
| <b>0800-0500</b> | 740          | 100 | 60  | 580 | 6,0 | 13,4 | 750                           | 100 | 60  | 590 | 8,0  | 12,1 |
| <b>0800-0560</b> | -            | -   | -   | -   | -   | -    | 665                           | 100 | 90  | 475 | 8,0  | 11,2 |
| <b>0800-0600</b> | 585          | 100 | 90  | 395 | 6,0 | 11,3 | -                             | -   | -   | -   | -    | -    |
| <b>0800-0630</b> | -            | -   | -   | -   | -   | -    | 535                           | 100 | 90  | 345 | 8,0  | 9,4  |
| <b>0800-0700</b> | 400          | 100 | 90  | 210 | 6,0 | 8,3  | -                             | -   | -   | -   | -    | -    |
| <b>0800-0710</b> | -            | -   | -   | -   | -   | -    | 385                           | 100 | 90  | 195 | 8,0  | 7,2  |
| <b>0900-0400</b> | 1150         | 120 | 70  | 960 | 8,0 | 27,8 | 1150                          | 120 | 70  | 960 | 8,0  | 18,6 |
| <b>0900-0450</b> | 1030         | 100 | 60  | 870 | 8,0 | 25,8 | 1060                          | 120 | 70  | 870 | 8,0  | 17,8 |
| <b>0900-0500</b> | 935          | 100 | 60  | 775 | 8,0 | 24,3 | 965                           | 120 | 70  | 775 | 8,0  | 16,8 |
| <b>0900-0560</b> | -            | -   | -   | -   | -   | -    | 855                           | 120 | 70  | 665 | 8,0  | 15,5 |
| <b>0900-0600</b> | 760          | 100 | 70  | 590 | 8,0 | 21,0 | -                             | -   | -   | -   | -    | -    |
| <b>0900-0630</b> | -            | -   | -   | -   | -   | -    | 730                           | 120 | 70  | 540 | 10,0 | 17,3 |
| <b>0900-0700</b> | 580          | 100 | 80  | 400 | 8,0 | 17,2 | 645                           | 120 | 120 | 405 | 10,0 | 15,9 |
| <b>0900-0710</b> | -            | -   | -   | -   | -   | -    | 630                           | 120 | 120 | 390 | 10,0 | 15,6 |
| <b>0900-0800</b> | 395          | 100 | 80  | 215 | 8,0 | 12,5 | 460                           | 120 | 120 | 220 | 10,0 | 12,1 |
| <b>1000-0500</b> | 1120         | 100 | 60  | 960 | 8,0 | 31,2 | 1155                          | 120 | 70  | 965 | 10,0 | 27,0 |
| <b>1000-0560</b> | -            | -   | -   | -   | -   | -    | 1045                          | 120 | 70  | 855 | 10,0 | 25,3 |
| <b>1000-0600</b> | 945          | 100 | 70  | 775 | 8,0 | 28,0 | -                             | -   | -   | -   | -    | -    |
| <b>1000-0630</b> | -            | -   | -   | -   | -   | -    | 915                           | 120 | 70  | 725 | 10,0 | 23,2 |
| <b>1000-0700</b> | 770          | 100 | 80  | 590 | 8,0 | 24,1 | 835                           | 120 | 120 | 595 | 10,0 | 21,8 |
| <b>1000-0710</b> | -            | -   | -   | -   | -   | -    | 815                           | 120 | 120 | 575 | 10,0 | 21,4 |
| <b>1000-0800</b> | 580          | 100 | 80  | 400 | 8,0 | 19,3 | 645                           | 120 | 120 | 405 | 10,0 | 17,9 |
| <b>1000-0900</b> | 415          | 100 | 100 | 215 | 8,0 | 14,5 | 460                           | 120 | 120 | 220 | 10,0 | 13,5 |
| <b>1200-0600</b> | *            | *   | *   | *   | *   | *    | *                             | *   | *   | *   | *    | *    |
| <b>1200-0630</b> | *            | *   | *   | *   | *   | *    | *                             | *   | *   | *   | *    | *    |
| <b>1200-0700</b> | *            | *   | *   | *   | *   | *    | *                             | *   | *   | *   | *    | *    |
| <b>1200-0710</b> | *            | *   | *   | *   | *   | *    | *                             | *   | *   | *   | *    | *    |
| <b>1200-0800</b> | *            | *   | *   | *   | *   | *    | *                             | *   | *   | *   | *    | *    |



| d1 - d2<br>[mm]  | PVC / PVC-UV |     |     |      |      |      | PP / PPs / PE / PPs-el / PVDF |     |     |      |      |      |   |
|------------------|--------------|-----|-----|------|------|------|-------------------------------|-----|-----|------|------|------|---|
| <b>1200-0900</b> | *            | *   | *   | *    | *    | *    | *                             | *   | *   | *    | *    | *    | * |
| <b>1200-1000</b> | *            | *   | *   | *    | *    | *    | *                             | *   | *   | *    | *    | *    | * |
| <b>1250-0600</b> | 1405         | 120 | 70  | 1215 | 10,0 | 57,0 | -                             | -   | -   | -    | -    | -    | - |
| <b>1250-0630</b> | -            | -   | -   | -    | -    | -    | 1350                          | 120 | 70  | 1160 | 10,0 | 39,9 |   |
| <b>1250-0700</b> | 1225         | 120 | 80  | 1025 | 10,0 | 52,5 | 1265                          | 120 | 120 | 1025 | 10,0 | 38,7 |   |
| <b>1250-0710</b> | -            | -   | -   | -    | -    | -    | 1250                          | 120 | 120 | 1010 | 10,0 | 38,5 |   |
| <b>1250-0800</b> | 1040         | 120 | 80  | 840  | 10,0 | 46,9 | 1090                          | 120 | 120 | 850  | 10,0 | 35,0 |   |
| <b>1250-0900</b> | 875          | 120 | 100 | 655  | 10,0 | 41,3 | 910                           | 120 | 120 | 679  | 10,0 | 30,7 |   |
| <b>1250-1000</b> | 685          | 120 | 100 | 465  | 10,0 | 33,8 | 715                           | 120 | 120 | 475  | 10,0 | 25,3 |   |
| <b>1400-0700</b> | 1560         | 175 | 80  | 1305 | 10,0 | 72,0 | 1545                          | 120 | 120 | 1305 | 12,0 | 63,0 |   |
| <b>1400-0710</b> | -            | -   | -   | -    | -    | -    | 1530                          | 120 | 120 | 1290 | 12,0 | 61,0 |   |
| <b>1400-0800</b> | 1375         | 175 | 80  | 1120 | 10,0 | 66,5 | 1360                          | 120 | 120 | 1120 | 12,0 | 56,4 |   |
| <b>1400-0900</b> | 1205         | 175 | 100 | 930  | 10,0 | 61,0 | 1170                          | 120 | 120 | 930  | 12,0 | 50,7 |   |
| <b>1400-1000</b> | 1045         | 175 | 125 | 745  | 10,0 | 55,0 | 985                           | 120 | 120 | 745  | 12,0 | 44,5 |   |
| <b>1400-1250</b> | 580          | 175 | 125 | 280  | 10,0 | 33,8 | 520                           | 120 | 120 | 280  | 12,0 | 26,0 |   |

\* na zapytanie