

RN - Redukcja ns.



RA - Redukcja asymetryczna chemoodporna wykonana z tworzyw sztucznych

Przeznaczone do łączenia rur i elementów o średnicy zewnętrznej D. Łączenie z innymi kształtkami możliwe jest tylko przy pomocy rury o średnicy zewnętrznej D.

Wykonanie:

- redukcja niesymetryczna
- do montażu na zewnątrz rury
- formowane ciśnieniowo do 315mm
- formowane maszynowo od 355mm
- minimalna grubość ścianki 3 mm lub zgodnie z DIN 4741
- zakończenia mufowe
- łączenie przez spawanie

Dane techniczne

Temperatura stosowania:

Tr [°C] jak dla materiału

Temperatura pracy:

Tmax. [°C] jak dla materiału

Ciśnienie pracy:

Pmax. [Pa] jak dla materiału

Kolor:

jak materiał

Wymiarowanie:

Redukcja RN [x] - [d1] - [d2]

[x] - typ materiału

[d1][d2] - średnice kanału wentylacyjnego w mm

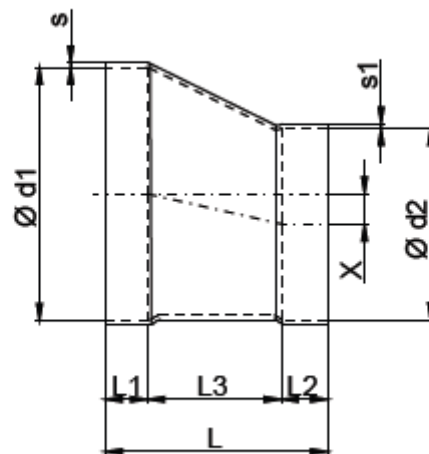
Wersje materiałowe:

- PVC (RAL 7011),
- PPS (szary RAL 7037)
- PP (RAL7032),
- PE (czarny),
- PPs-el (czarny),
- PVDF (naturalny),
- PVC-UV (biały),

Oznaczenie:

Typ	RN1-	RN2-	RN3-	RN4-	RN5-	RN6-	RN9-
Materiał	PVC	PPs	PP	PE	PPs-el	PVDF	PVC-UV

Wymiary



d1 - d2 [mm]	PVC, PVC-C, PVC-UV							PPs, PP, PE, PPs-el, PVDF						
	L [mm]	L1 [mm]	L2 [mm]	L3 [mm]	X [mm]	s [mm]	s1 [mm]	L [mm]	L1 [mm]	L2 [mm]	L3 [mm]	X [mm]	s [mm]	s1 [mm]
0063-0050	90	25	25	40	6,5	3,0	3,0	100	25	25	50	6,5	3,0	3,0
0075-0050	125	35	25	65	12,5	3,0	3,0	130	35	25	70	12,5	3,0	3,0
0075-0063	100	35	25	40	6,0	3,0	3,0	105	35	25	45	6,0	3,0	3,0
0090-0050	150	35	25	90	20,0	3,0	3,0	155	35	25	95	20,0	3,0	3,0
0090-0063	125	35	25	65	13,5	3,0	3,0	130	35	25	70	13,5	3,0	3,0
0090-0075	115	35	35	45	7,5	3,0	3,0	120	35	35	50	7,5	3,0	3,0
0110-0050	185	40	25	120	30,0	3,0	3,0	190	40	25	125	30,0	3,0	3,0

d1 - d2 [mm]		PVC, PVC-C, PVC-UV						PPs, PP, PE, PPs-el,PVDF						
0110-0063	160	40	25	95	23,5	3,0	3,0	165	40	25	100	23,5	3,0	3,0
0110-0075	150	40	35	75	17,5	3,0	3,0	155	40	35	80	17,5	3,0	3,0
0110-0090	125	40	35	50	10,0	3,0	3,0	130	40	35	55	10,0	3,0	3,0
0125-0050	210	40	25	145	37,5	3,0	3,0	215	40	25	150	37,5	3,0	3,0
0125-0063	185	40	25	120	31,0	3,0	3,0	190	40	25	125	31,0	3,0	3,0
0125-0075	175	40	35	100	25,0	3,0	3,0	180	40	35	105	25,0	3,0	3,0
0125-0090	150	40	35	75	17,5	3,0	3,0	155	40	35	80	17,5	3,0	3,0
0125-0110	115	40	40	35	7,5	3,0	3,0	120	40	40	40	7,5	3,0	3,0
0140-0050	245	40	25	180	45,0	3,0	3,0	240	40	25	175	45,0	3,0	3,0
0140-0063	215	40	25	150	38,5	3,0	3,0	220	40	25	155	38,5	3,0	3,0
0140-0075	205	40	35	125	32,5	3,0	3,0	210	40	35	135	32,5	3,0	3,0
0140-0090	175	40	35	100	25,0	3,0	3,0	180	40	35	105	25,0	3,0	3,0
0140-0110	135	40	40	55	15,0	3,0	3,0	145	40	40	65	15,0	3,0	3,0
0140-0125	110	40	40	30	7,5	3,0	3,0	120	40	40	40	7,5	3,0	3,0
0160-0050	275	40	25	210	55,0	3,0	3,0	275	40	25	210	55,0	3,0	3,0
0160-0063	245	40	25	180	48,5	3,0	3,0	255	40	25	190	48,5	3,0	3,0
0160-0075	230	40	35	155	42,5	3,0	3,0	240	40	35	165	42,5	3,0	3,0
0160-0090	205	40	35	160	35,0	3,0	3,0	215	40	35	140	35,0	3,0	3,0
0160-0110	170	40	40	90	25,0	3,0	3,0	180	40	40	100	25,0	3,0	3,0
0160-0125	145	40	40	65	17,5	3,0	3,0	155	40	40	75	17,5	3,0	3,0
0160-0140	120	40	40	40	10,0	3,0	3,0	130	40	40	50	10,0	3,0	3,0
0180-0050	300	40	25	235	65,0	3,0	3,0	310	40	25	245	65,0	3,0	3,0
0180-0063	290	40	25	225	58,5	3,0	3,0	290	40	25	225	58,5	3,0	3,0
0180-0075	265	40	35	190	52,5	3,0	3,0	275	40	35	200	52,5	3,0	3,0
0180-0090	240	40	35	165	45,0	3,0	3,0	250	40	35	175	45,0	3,0	3,0
0180-0110	205	40	40	125	35,0	3,0	3,0	215	40	40	135	35,0	3,0	3,0
0180-0125	180	40	40	100	27,5	3,0	3,0	190	40	40	110	27,5	3,0	3,0
0180-0140	155	40	40	75	7,5	3,0	3,0	165	40	40	85	20,0	3,0	3,0
0180-0160	120	40	40	40	4,0	3,0	3,0	130	40	40	50	10,0	3,0	3,0
0200-0050	355	50	25	280	75,0	3,0	3,0	355	50	25	280	75,0	3,0	3,0
0200-0063	335	50	25	260	68,5	3,0	3,0	335	50	25	260	68,5	3,0	3,0
0200-0075	210	50	35	125	62,5	3,0	3,0	320	50	35	235	62,5	3,0	3,0
0200-0090	295	50	35	210	55,0	3,0	3,0	295	50	35	210	55,0	3,0	3,0
0200-0110	250	50	40	160	45,0	3,0	3,0	260	50	40	170	45,0	3,0	3,0
0200-0125	225	50	40	135	37,5	3,0	3,0	235	50	40	145	37,5	3,0	3,0
0200-0140	200	50	40	110	30,0	3,0	3,0	210	50	40	121	30,0	3,0	3,0
0200-0160	165	50	40	75	20,0	3,0	3,0	175	50	40	85	20,0	3,0	3,0
0200-0180	130	50	40	40	10,0	3,0	3,0	140	50	40	50	10,0	3,0	3,0
0225-0050	390	50	25	315	87,5	3,0	3,0	390	50	25	315	87,5	3,0	3,0
0225-0063	365	50	25	290	81,0	3,0	3,0	365	50	25	290	81,5	3,0	3,0
0225-0075	355	50	35	270	75,0	3,0	3,0	355	50	35	270	75,0	3,0	3,0
0225-0090	330	50	35	245	67,5	3,0	3,0	340	50	35	255	67,5	3,5	3,0
0225-0110	295	50	40	205	57,5	3,0	3,0	305	50	40	215	57,5	3,5	3,0
0225-0125	270	50	40	180	50,0	3,0	3,0	280	50	40	190	50,0	3,5	3,0
0225-0140	240	50	40	150	42,5	3,0	3,0	250	50	40	160	42,5	3,5	3,0
0225-0160	210	50	40	120	32,5	3,0	3,0	220	50	40	130	32,5	3,5	3,0

d1 - d2 [mm]		PVC, PVC-C, PVC-UV						PPs, PP, PE, PPs-el,PVDF						
0225-0180	185	50	40	95	22,5	3,0	3,0	185	50	40	95	22,5	3,5	3,0
0225-0200	150	50	50	50	12,5	3,0	3,0	160	50	50	60	12,5	3,5	3,0
0250-0050	430	50	25	355	100	3,0	3,0	430	50	25	355	100	3,0	3,0
0250-0063	410	50	25	335	87,5	3,0	3,0	410	50	25	335	87,5	3,0	3,0
0250-0075	400	50	35	315	9,5	3,0	3,0	400	50	35	315	93,5	3,0	3,0
0250-0090	370	50	35	285	80,0	3,0	3,0	380	50	35	285	80,0	3,5	3,0
0250-0110	335	50	40	245	70,0	3,0	3,0	348	50	40	255	70,0	3,5	3,0
0250-0125	310	50	40	220	62,5	3,0	3,0	320	50	40	230	62,5	3,5	3,0
0250-0140	285	50	40	195	55,0	3,0	3,0	295	50	40	205	55,0	3,0	3,0
0250-0160	250	50	40	160	45,0	3,0	3,0	260	50	40	170	45,0	3,5	3,0
0250-0180	215	50	40	125	35,0	3,0	3,0	225	50	40	135	35,0	3,5	3,0
0250-0200	190	50	50	90	25,0	3,0	3,0	200	50	50	100	25,0	3,5	3,0
0250-0225	150	50	50	50	12,5	3,0	3,0	160	50	50	60	12,5	3,5	3,5
0280-0110	390	50	40	300	85,0	3,0	3,0	400	50	40	310	85,0	4,0	3,0
0280-0125	365	50	40	275	77,5	3,0	3,0	375	50	40	285	77,5	4,0	3,0
0280-0140	335	50	40	245	70	3,0	3,0	345	50	40	255	70,0	4,0	3,0
0280-0160	305	50	40	215	60	3,0	3,0	315	50	40	225	60,0	4,0	3,0
0280-0180	270	50	40	180	50,0	3,0	3,0	280	50	40	190	50,0	4,0	3,0
0280-0200	245	50	40	145	40,0	3,0	3,0	355	50	40	155	40,0	4,0	3,0
0280-0225	200	50	50	100	27,5	3,0	3,0	210	50	50	100	27,5	4,0	3,5
0280-0250	155	50	50	55	15,0	3,0	3,0	165	50	50	65	15,0	4,0	3,5
0315-0110	470	50	40	380	102,5	3,0	3,0	470	50	40	380	102,5	5,0	3,0
0315-0125	425	50	40	335	95,0	3,0	3,0	435	50	40	345	95,0	5,0	3,0
0315-0140	400	50	40	310	87,5	3,0	3,0	410	50	40	320	87,5	5,0	3,0
0315-0160	265	50	40	275	77,5	3,0	3,0	375	50	40	285	77,5	5,0	3,0
0315-0180	330	50	40	240	67,5	3,0	3,0	340	50	40	250	67,5	5,0	3,0
0315-0200	305	50	50	205	57,5	3,0	3,0	315	50	40	215	57,5	5,0	3,0
0315-0225	260	50	50	160	45,0	3,0	3,0	270	50	50	170	45,0	5,0	3,5
0315-0250	220	50	50	120	32,5	3,0	3,0	230	50	50	130	32,5	5,0	3,5
0315-0280	165	50	50	65	17,5	3,0	3,0	175	50	50	75	17,5	5,0	4,0
0355-0160	435	50	40	355	97,5	3,0	3,0	455	50	40	365	97,5	5,0	3,0
0355-0180	410	50	40	320	87,5	3,0	3,0	420	50	40	330	87,5	5,0	3,0
0355-0200	385	50	50	285	77,5	3,0	3,0	395	50	50	295	77,5	5,0	3,0
0355-0225	340	50	50	240	65,0	3,0	3,0	345	50	50	245	65,0	5,0	3,5
0355-0250	295	50	50	195	52,5	3,0	3,0	305	50	50	205	52,5	5,0	3,5
0355-0280	245	50	50	145	37,5	3,0	3,0	250	50	50	150	37,5	5,0	4,0
0355-0315	185	50	50	85	20,0	3,0	3,0	190	50	50	90	20,0	5,0	5,0
0400-0160	530	60	40	430	120,0	3,0	3,0	540	60	40	440	120,0	6,0	3,0
0400-0180	495	60	40	395	110,0	3,0	3,0	505	60	40	405	110,0	6,0	3,0
0400-0200	470	60	50	360	100	3,0	3,0	480	60	50	370	100,0	6,0	6,0
0400-0225	430	60	50	320	87,5	3,0	3,0	435	60	50	325	87,5	6,0	3,5
0400-0250	385	60	50	275	75,0	3,0	3,0	390	60	50	280	75,0	6,0	3,5
0400-0280	335	60	50	225	60,0	3,0	3,0	340	60	50	230	60,0	6,0	4,0
0400-0315	275	60	50	165	42,5	3,0	3,0	280	60	50	170	42,5	6,0	5,5
0400-0355	210	60	50	100	22,5	3,0	3,0	215	60	50	105	22,5	6,0	5,5
0450-0200	560	60	50	450	125,0	4,0	4,0	570	60	50	460	125,0	6,0	3,0

d1 - d2 [mm]		PVC, PVC-C, PVC-UV						PPs, PP, PE, PPs-el,PVDF						
0450-0225	515	60	50	405	112,5	4,0	4,0	515	60	50	405	112,5	6,0	3,5
0450-0250	470	60	50	360	100,0	4,0	4,0	480	60	50	370	100,0	6,0	3,5
0450-0280	720	60	50	310	85,0	4,0	4,0	430	60	50	320	85,0	6,0	4,0
0450-0315	360	60	50	250	67,5	4,0	4,0	365	60	50	355	67,5	6,0	5,0
0450-0355	295	60	50	185	47,5	4,0	4,0	305	60	50	195	47,5	6,0	5,0
0450-0400	225	60	60	105	25,0	4,0	4,0	235	60	60	115	25,0	6,0	6,0
0500-0200	635	60	50	530	150	4,0	4,0	650	60	50	540	150,0	6,0	3,0
0500-0225	590	60	50	485	135	4,0	4,0	605	60	50	495	137,5	6,0	3,5
0500-0250	550	60	50	445	125	4,0	4,0	565	60	50	455	125,0	6,0	3,5
0500-0280	495	60	50	390	110	4,0	4,0	505	60	50	399	110,0	6,0	4,0
0500-0315	435	60	50	330	93	4,0	4,0	445	60	50	335	92,5	6,0	5,0
0500-0355	375	60	50	265	73	4,0	4,0	380	60	50	275	72,5	6,0	5,0
0500-0400	310	60	60	190	50	4,0	4,0	315	60	60	200	50,0	6,0	6,0
0500-0450	215	60	60	100	25	4,0	4,0	220	60	60	105	25,0	6,0	6,0
0560-0250	-	-	-	-	-	-	-	705	90	50	565	155,0	6,0	3,5
0560-0280	-	-	-	-	-	-	-	650	90	50	505	140,0	6,0	4,0
0560-0315	-	-	-	-	-	-	-	585	90	50	445	122,5	6,0	5,0
0560-0355	-	-	-	-	-	-	-	525	90	50	385	102,5	6,0	5,0
0560-0400	-	-	-	-	-	-	-	455	90	60	305	80,0	6,0	6,0
0560-0450	-	-	-	-	-	-	-	360	90	60	215	55,0	6,0	6,0
0560-0500	-	-	-	-	-	-	-	315	90	60	135	30,0	6,0	6,0
0600-0280	685	70	50	565	160	5,0	3,0	-	-	-	-	-	-	-
0600-0315	625	70	50	505	143	5,0	3,0	-	-	-	-	-	-	-
0600-0355	560	70	50	440	123	5,0	4,0	-	-	-	-	-	-	-
0600-0400	490	70	60	360	100	5,0	4,0	-	-	-	-	-	-	-
0600-0450	405	70	60	280	75	5,0	4,0	-	-	-	-	-	-	-
0600-0500	320	70	60	195	50	5,0	4,0	-	-	-	-	-	-	-
0630-0280	-	-	-	-	-	-	-	765	90	50	625	175,0	6,0	4,0
0630-0315	-	-	-	-	-	-	-	705	90	50	565	157,5	6,0	5,0
0630-0355	-	-	-	-	-	-	-	640	90	50	505	137,5	6,0	5,0
0630-0400	-	-	-	-	-	-	-	575	90	60	425	115,0	6,0	6,0
0630-0450	-	-	-	-	-	-	-	480	90	60	330	90,0	6,0	6,0
0630-0500	-	-	-	-	-	-	-	395	90	60	250	65,0	6,0	6,0
0630-0560	-	-	-	-	-	-	-	325	90	90	145	35,0	6,0	6,0
0700-0315	825	90	50	685	192,5	6,0	3,0	-	-	-	-	-	-	-
0700-0355	765	90	50	625	172,5	6,0	4,0	-	-	-	-	-	-	-
0700-0400	695	90	60	545	150,0	6,0	4,0	-	-	-	-	-	-	-
0700-0450	605	90	60	455	125,0	6,0	4,0	-	-	-	-	-	-	-
0700-0500	515	90	60	365	100,0	6,0	4,0	-	-	-	-	-	-	-
0700-0560	-	-	-	-	-	-	-	-	-	-	-	-	-	-
0700-0600	355	90	70	195	50,0	6,0	5,0	-	-	-	-	-	-	-
0700-0630	-	-	-	-	-	-	-	-	-	-	-	-	-	-
0710-0315	-	-	-	-	-	-	-	845	90	50	705	197,5	8,0	5,0
0710-0355	-	-	-	-	-	-	-	785	90	50	640	177,5	8,0	5,0
0710-0400	-	-	-	-	-	-	-	715	90	60	565	155,0	8,0	6,0
0710-0450	-	-	-	-	-	-	-	620	90	60	475	130,0	8,0	6,0

d1 - d2 [mm]	PVC, PVC-C, PVC-UV							PPs, PP, PE, PPs-el,PVDF						
0710-0500	-	-	-	-	-	-	-	535	90	60	390	105,0	8,0	6,0
0710-0560	-	-	-	-	-	-	-	465	90	90	285	75,0	8,0	6,0
0710-0630	-	-	-	-	-	-	-	345	90	90	165	40,0	8,0	6,0
0710-0700	-	-	-	-	-	-	-	-	-	-	-	-	-	-
0800-0355	945	100	50	795	222,5	6,0	4,0	950	100	50	800	222,5	8,0	5,0
0800-0400	880	100	60	720	200,0	6,0	4,0	880	100	60	720	200,0	8,0	6,0
0800-0450	785	100	60	605	175,0	6,0	4,0	785	100	60	630	175,0	8,0	6,0
0800-0500	700	100	60	520	150,0	6,0	4,0	700	100	60	545	150,0	8,0	6,0
0800-0560	-	-	-	-	-	-	-	630	100	90	440	120,0	8,0	6,0
0800-0600	390	100	90	345	100,0	6,0	5,0	-	-	-	-	-	-	-
0800-0630	-	-	-	-	-	-	-	510	100	90	175	45,0	8,0	6,0
0800-0700	390	100	70	200	50,0	6,0	6,0	-	-	-	-	-	-	-
0800-0710	-	-	-	-	-	-	-	365	100	90	175	45,0	8,0	8,0
0900-0400	1055	110	60	885	250,0	8,0	8,0	1055	110	60	885	250,0	8,0	8,0
0900-0450	970	110	60	900	225,0	7,0	4,0	975	110	60	805	225,0	8,0	6,0
0900-0500	885	110	60	715	200,0	7,0	4,0	890	110	60	720	200,0	8,0	6,0
0900-0560	-	-	-	-	-	-	-	825	110	90	625	170,0	8,0	6,0
0900-0600	720	110	65	540	150,0	7,0	5,0	-	-	-	-	-	-	-
0900-0630	-	-	-	-	-	-	-	695	110	90	495	135,0	8,0	6,0
0900-0700	570	110	90	370	100,0	7,0	6,0	-	-	-	-	-	-	-
0900-0710	-	-	-	-	-	-	-	550	110	90	350	95,0	8,0	8,0
0900-0800	410	110	100	200	50,0	7,0	6,0	405	110	100	195	50,0	8,0	8,0
1000-0500	1055	110	60	890	250	8,0	4,0	1060	110	60	890	250,0	10,0	6,0
1000-0560	-	-	-	-	-	-	-	990	110	90	790	220,0	10,0	6,0
1000-0600	895	110	70	715	200	8,0	5,0	-	-	-	-	-	-	-
1000-0630	-	-	-	-	-	-	-	870	110	90	670	185,0	10,0	6,0
1000-0700	750	110	90	550	150	8,0	6,0	-	-	-	-	-	-	-
1000-0710	-	-	-	-	-	-	-	725	110	90	525	145,0	10,0	8,0
1000-0800	585	110	100	375	100	8,0	6,0	580	110	100	370	100,0	10,0	8,0
1000-0900	420	110	110	200	50	8,0	7,0	420	110	110	200	500,0	10,0	8,0
1200-0600	*	*	*	*	*	*	*	*	*	*	*	*	*	*
1200-0630	*	*	*	*	*	*	*	*	*	*	*	*	*	*
1200-0700	*	*	*	*	*	*	*	*	*	*	*	*	*	*
1200-0710	*	*	*	*	*	*	*	*	*	*	*	*	*	*
1200-0800	*	*	*	*	*	*	*	*	*	*	*	*	*	*
1200-0900	*	*	*	*	*	*	*	*	*	*	*	*	*	*
1200-1000	*	*	*	*	*	*	*	*	*	*	*	*	*	*
1250-0600	1305	125	55	1125	325	10,0	5,0	-	-	-	-	-	-	-
1250-0630	-	-	-	-	-	-	-	1300	125	100	1075	310	10,0	6,0
1250-0700	1160	125	80	955	275	10,0	6,0	-	-	-	-	-	-	-
1250-0710	-	-	-	-	-	-	-	1160	125	100	935	270	10,0	8,0
1250-0800	985	125	80	780	225	10,0	6,0	1030	125	125	780	225	10,0	8,0
1250-0900	830	125	100	605	175	10,0	7,0	855	125	125	605	175	10,0	8,0
1250-1000	685	125	125	435	125	10,0	8,0	685	125	125	435	125	10,0	10,0
1400-0700	1470	175	80	1215	350	10,0	6,0	-	-	-	-	-	-	-
1400-0710	-	-	-	-	-	-	-	1470	175	100	1195	345	12,0	8,0

d1 - d2 [mm]	PVC, PVC-C, PVC-UV							PPs, PP, PE, PPs-el,PVDF						
1400-0800	1295	175	80	1040	300	10,0	6,0	1340	175	125	1040	300	12,0	8,0
1400-0900	1140	175	100	835	250	10,0	7,0	1165	175	125	865	250	12,0	8,0
1400-1000	995	175	125	695	200	10,0	8,0	995	175	125	695	200	12,0	10,0
1400-1250	560	175	125	260	75	10,0	10,0	560	175	125	260	75	12,0	10,0